

94ACC0163 Antenna, Roof Mount Dome, 4 dBi, 2.4 to 5.9 GHz

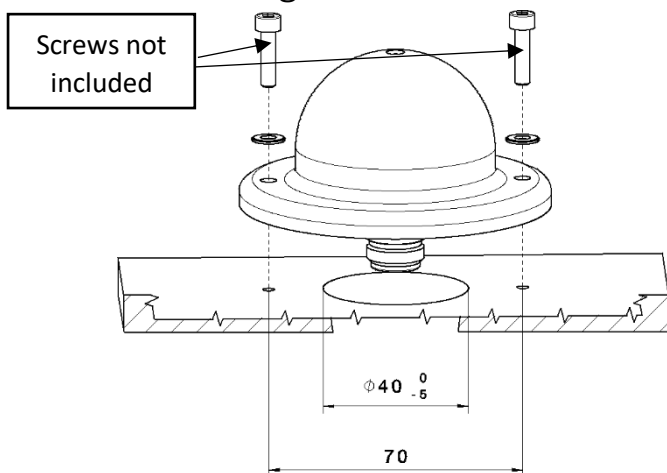
General Features

Antenna, Roof Mount Dome, 4 dBi, 2.4 to 5.9 GHz extends W-Lan connectivity of VMC.

The pack contains the following components

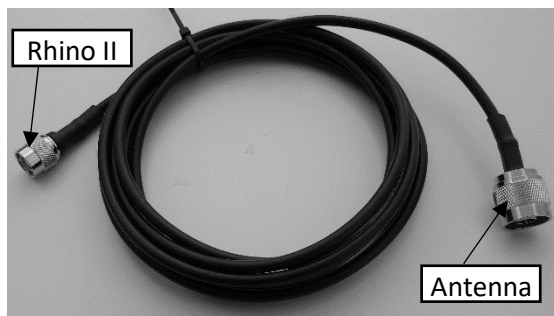
- 1x Top cover 50mm with RP TNC connector
- 1x Omnidirectional calotte 4 dBi, 2,4 to 5,9 GHz, N
- 1x Antenna cable RP-TNC, N 3 m

Assembling of Omnidirectional calotte 4 dBi, 2.4 to 5.9 GHz



The Omnidirectional calotte 4 dBi, 2.4 to 5.9 GHz must be installed via 2 screws. The maximum diameter of the screws shouldn't be taller than 4 mm. To connect the antenna cable RP-TNC, N 3 m properly there must be a hole with a diameter between 35 mm to 40 mm.

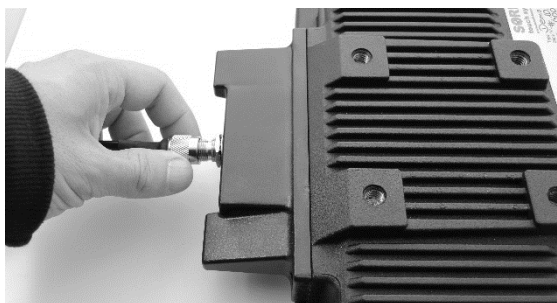
Connect Omnidirectional calotte 4 dBi, 2.4 to 5.9 GHz with VMC



The connector with the smaller outer diameter must be connected to the VMC.

The connector with the bigger outer diameter must be connected to the Omnidirectional calotte 4 dBi, 2.4 to 5.9 GHz

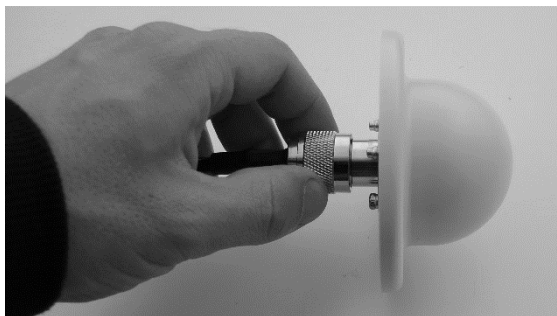
INSTRUCTIONS



Connect the Antenna cable RP-TNC, N 3 m to the VMC

Cable contact with smaller outer diameter

To fix the cable properly to the VMC you must screw the connector clockwise



Remove the blue connector cover from the Omnidirectional calotte 4 dBi, 2.4 to 5.9 GHz

Install the other side of the antenna cable RP-TNC, N 3 m to the Omnidirectional calotte 4 dBi, 2.4 to 5.9 GHz

To fix the cable properly you must screw the connector clockwise



822002420