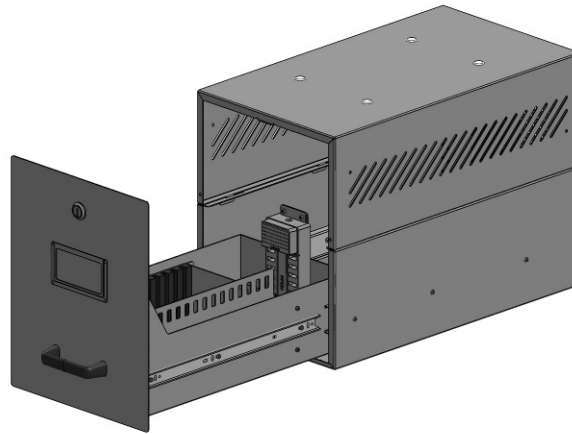


Project Configuration Sheet – UCS-S15.C.G-nn

Universal Charging Station Single build with 15 slots for charging via USB Version 1.0



Parts List

Part No.	Description	Qty	Assemble	Box
CB00237	Bottom part for UCS single, with 2xM8990-4005 (sliders), 6xM9910-0404, 4xM0000-5009-02 and 1xM22155-02	1	1	1
CB00238	Top part cover for UCS-S15, with 2xM22154-02, 2xM22145-02, 1xP22610-02 and 4xP22646. Use 4xM9971-0406 to secure in the back.	1	1	1
CB00239	Drawer for UCS-S15, with handle M22103-02 – assembled with 2xM9936-0612-02 and 2xM9943-0006, 1x2890-AH – riveted with 4xM9997-2406-ALU and 1xM22181 – lock. Assembled with sliders using 6xM9901-0406 and 6xM9934-0004 Using double side tape P23005, assemble 1x019615-AH (350x238mm) and 1x019615-AH (330x095mm) after separating wall is installed.	1	1	1
CB00240	Separating wall for UCS single with 4xM9910-0406 and 4xM9934-0004	1	1	1
CB00241	Adjustable wall for UCS-S15 with 2xP22633-02 and 1x019615-AH (328x095mm) – use double side tape P23005.	1	1	1
PP15c.G-CAM	Multi. USB charger, 15 slots, /w pow. transf. connector G; assembly with 4xM9910-0406	1	1	1

Fixings

	Description	Qty	Box
MK10-0010	Fixing bag for stacking UCS, with 4xM0000-5009-02, 4xM9917-0825, 4xM9931-0008 and 8xM9943-0008	1	1

Installation Guide

MK15-0189	Installation guide for Universal Charging Station	1	1
PowerPad15c UG v4	PowerPad15c User Guide		

Box B024 (645 x 510 x 500mm)

Box Label UCS-S15.C.G Universal Charging Station, Single build with 15 slots for charging via USB, with connector type G 1.0 + drawing

Colour	<nn>	
	01	Light Grey
	02	Black
	03	Silver
	04	Pearl
	05	Iron Grey