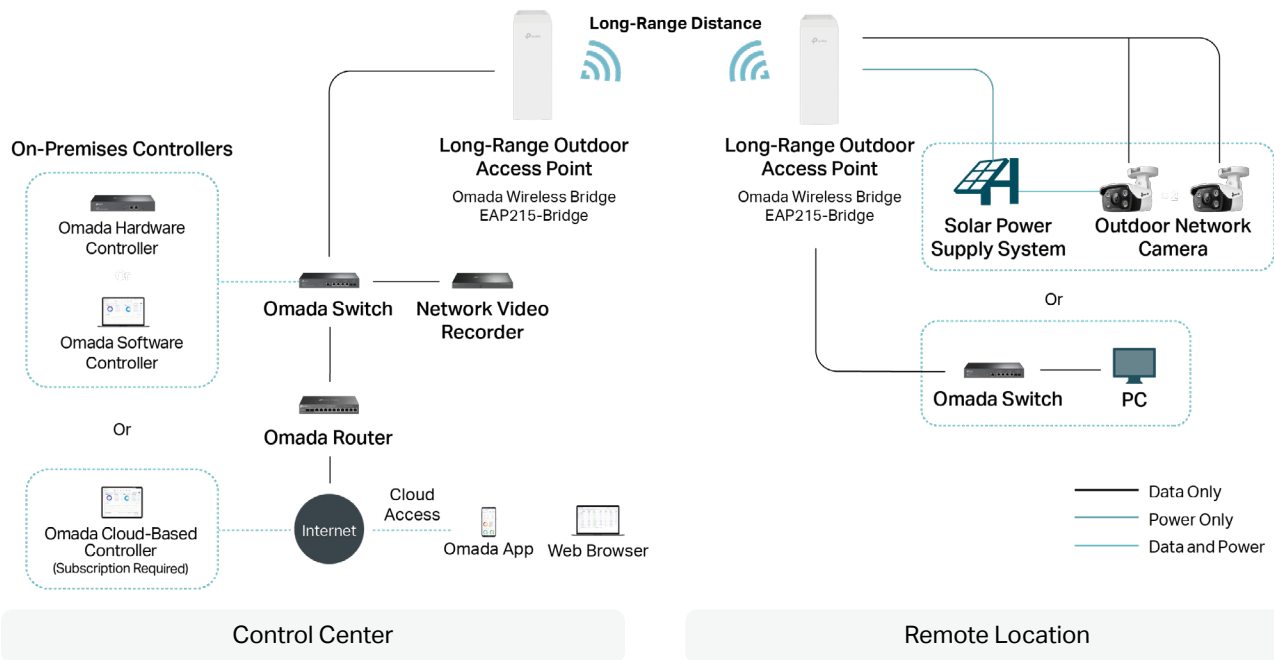


# Long-Range Networking for Surveillance

Wireless PtMP and PtP links provide a perfect wireless surveillance solution for remote storehouses, construction sites, mining sites, logging sites, and more. Omada Long-Range Outdoor Access Points, an important member of Omada Software-Defined Networking (SDN), provide PtMP and PtP links and are ideal for hundreds of meters to multi-kilometer long-distance wireless data transmissions, saving wiring costs for your network.



Recommended Scenarios	Multiple 2K+ cameras in remote locations	Multiple 2K+ cameras in remote locations within 1 km
Product Images		
Model	<b>EAP215-Bridge KIT</b>	<b>EAP211-Bridge KIT</b>
Frequency	5 GHz	
Max Wireless Speed*	867 Mbps	867 Mbps
Max Transmission Distance*	5 km+	1 km+
Weatherproof Enclosure	IP65	
Lightning Protection	6 kV	
Ethernet Ports	3x Gigabit	3x Gigabit
Power Supply Method	Passive PoE and 12 VDC	
Centralized Management	Omada; Cloud Access; Omada App	
Operating Temperature	-40°~70° (-40°~158°)	

\*Maximum wireless signal rates are the physical rates derived from IEEE Standard 802.11 specifications. The max ranges of products are tested in real outdoor environments. Actual range and throughput are not guaranteed and will vary as a result of network conditions, and depend on the transmission power and environmental factors such as wireless interference, obstacles, weather, etc.

### **Centralized Multi-Site Management**

Control the whole network in multiple sites on a single interface from anywhere with Omada SDN platform. Cut down on your maintenance costs and vastly improve your network efficiency.

### **Auto-Pairing**

Automatically establishes a network when a gateway is configured and access points are powered on, avoiding complex setups.

### **Waterproof & Dustproof & 6KV Lightning Protection**

Automatically establishes a network when a gateway is configured and access points are powered on, avoiding complex setups.

### **Three Gigabit/FE Ports for Multiple Cameras**

Provide wired connections to more IP cameras, easing the burden of complex device deployment.

### **Up to 5 km Transmission Distance (Vary from Models)**

Eliminates the limitations of traditional cable transmission distance. Ideal for multi-kilometer long-distance wireless data transmissions, saving wiring costs for your network.

### **Agile LEDs for Quick Deployment**

Flexibly adjust your wireless bridges' position and angle following the LED signal strength displays for optimal reception after auto-pairing.

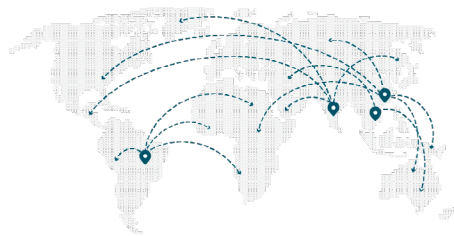
### **Flexible DC + Passive PoE Power Supply**

Automatically establishes a network when a gateway is configured and access points are powered on, avoiding complex setups.

### **Stable Long-Range Video Transmission**

Up to 867 Mbps Wi-Fi speed ensures video monitoring is smooth and clear. Omada wireless bridge products easily relay HD video from remote cameras thanks to extensive features that ensure robust long-range transmission.

## TP-Link Omada Deserves Your Trust



# No.1

### **Superb Pre-Sales Services**

- ▶ Certification and Training
- ▶ Tailored Network Deployment Advisor
- ▶ Professional Site Surveys

### **Extended Product Warranties**

- ▶ 2-Year Product Warranty\*
- ▶ Dedicated Omada Support
- ▶ Official Omada Community
- ▶ Localization Support Teams

\*Applicable to Omada products in the US region. Certain outdoor products have a 2-year warranty.

### **Vertical Integration and Stable Supply**

TP-Link is one of the few major wireless networking companies that operate in-house manufacturing facilities to maintain the standard of every component, enabling better value than traditional OEM's. The control over components and our supply chain is a key competitive differentiator. Our combination of supporting facilities ensures complete quality control and high-level manufacturing.

Applicable to the US region and may vary between regions/countries.

### **World's No. 1 Wi-Fi Products Provider**

- ▶ World's No.1 Wi-Fi Products Provider for 12 consecutive years\*\*
- ▶ 25 years of creating exceptional high-quality products.
- ▶ Over 20 years of products testing have built our hard-earned reputation for reliability.

\*\*Source: IDC Worldwide Quarterly WLAN Tracker, Q4 2022